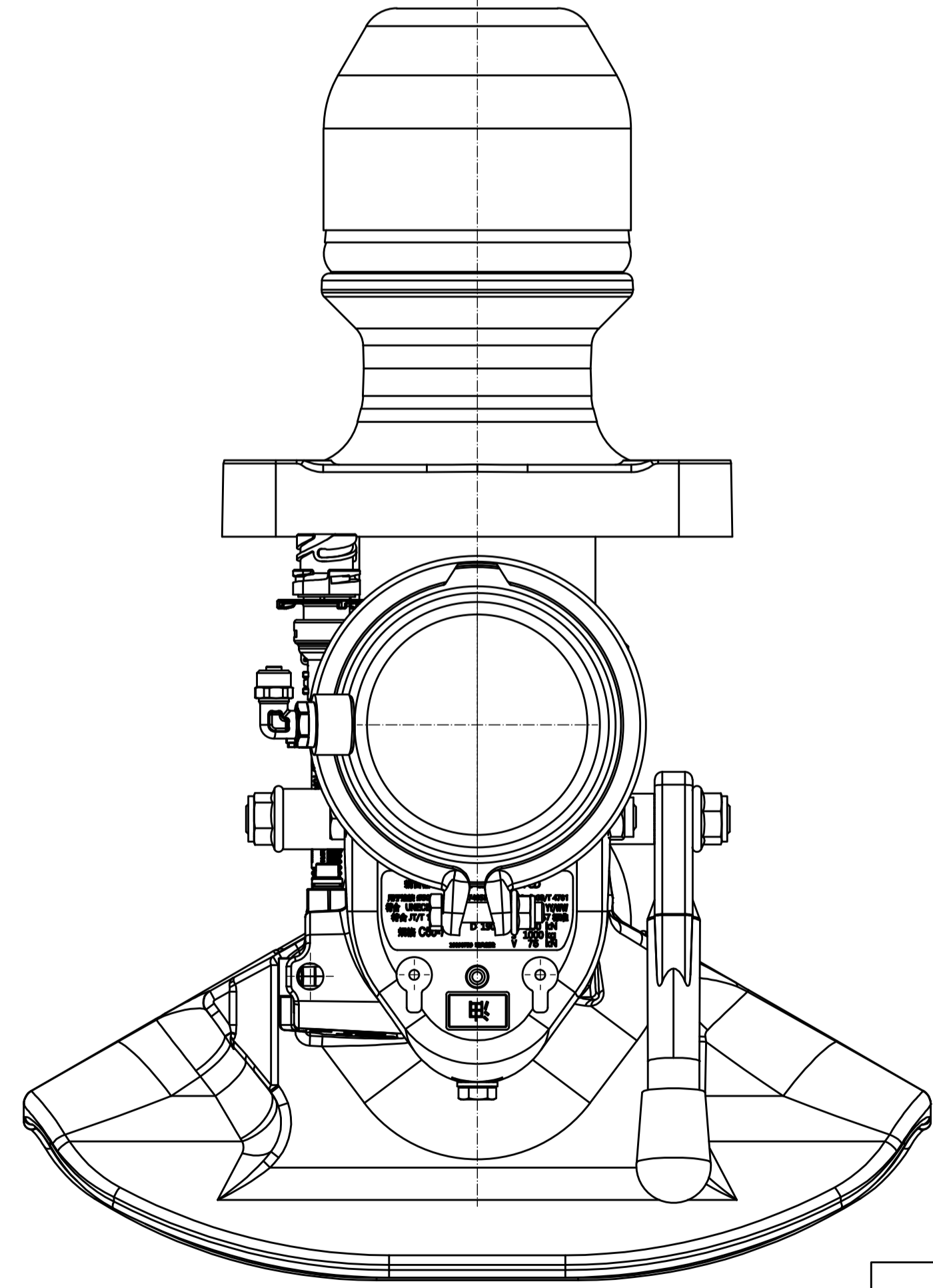
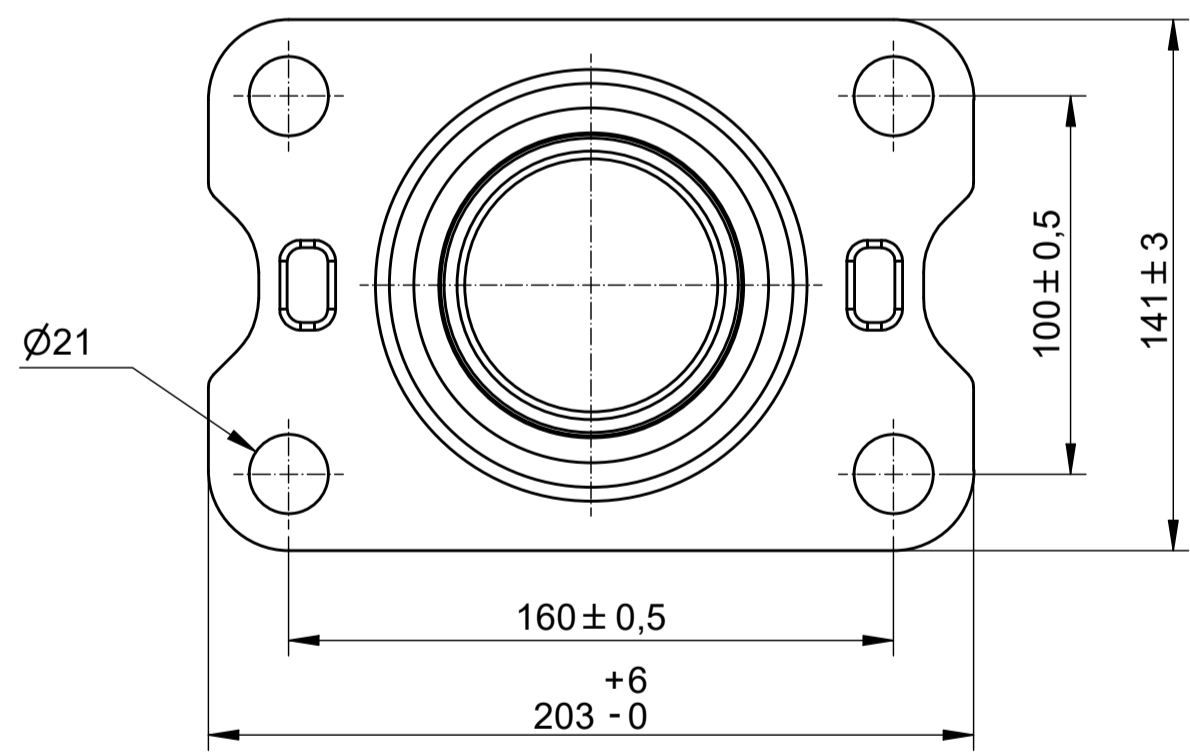


Identification plate

**RINGFEDER**  
**耦合器 型号 RF50 CN 版本 AM CD**  
 用于连接 Ø50 牵引环 DIN 74053 或 ISO1102 或 GB/T 4781  
 符合 UNECE R55 生产批号 XXXXX 年/周 YY/WW  
 符合 JT/T 1178.2 & GB/T32860 & ISO 12357 标准  
 规格 C50-7 D 190kN Dc 130 kN  
 S 1000 kg V 75 kN  
 10090759 瑞典制造

Lochbild / Hole pattern



Winkelausschläge der Zugöse:  
 Angle of of drawbar eye:  
 Horizontal ± 90° min  
 Vertikal ± 20°  
 Axial 360° bei einem Mindestdrehmoment von 100 Nm  
 with a minimum torque of 100 Nm

Fastening torques according to mounting instruction  
 Anzugsmomente gemäß Montageanleitung

<b>RINGFEDER</b>		Modified Date	Modified by	Modification No.	Issue
		08.05.2023	HBH	14046	a
<b>VBG GROUP</b>		3D Model No.	Engineer		
		15990919	HBH		
Description RF50 CN AM CD	Sheet Size	Scale	Revision	Drawing Date	Drawn by
	A1	1:2	1	08.05.2023	HBH
Stage		Drawing No.			
P		15990919(F) Info			
<small>This drawing is the property of VBG Group AB and is protected in accordance with prevailing law. Changes must be made in CAD program; this concerns both 2D &amp; 3D.</small>					